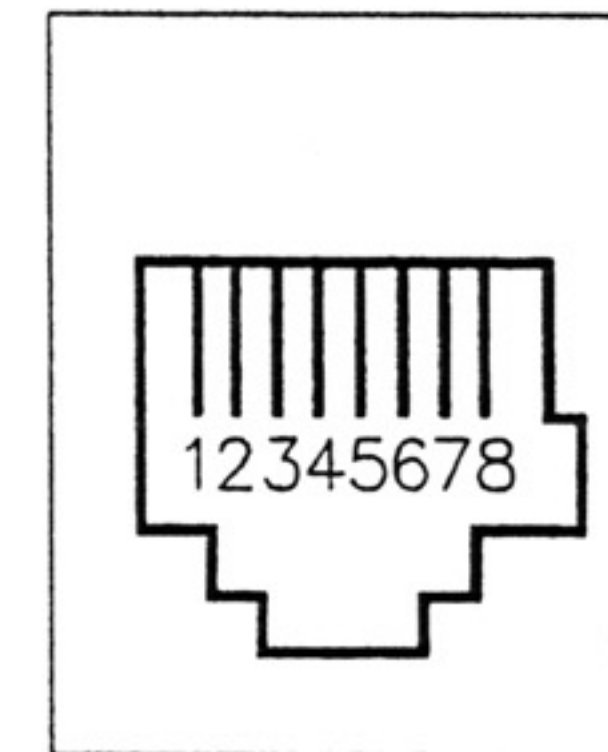


THUMBSCREW: 4-40 THREAD



- 1 ----- BLUE
- 2 ----- ORANGE
- 3 ----- BLACK
- 4 ----- RED
- 5 ----- GREEN
- 6 ----- YELLOW
- 7 ----- BROWN
- 8 ----- GRAY



NOTE: DIMENSIONS ARE IN INCHES AND SHOULD BE USED FOR REFERENCE ONLY

DESCRIPTION: MODULAR ADAPTOR, 8P8C TO DB-15 MALE

APRVD BY: S. KERR

DWG. NO. D.S. 1126

REV.

DWG.BY: HAI NGUYEN

COLOR: GRAY

DATE: 03/17/93

MATERIAL: THERMOPLASTIC 94-V0

SCALE: 1

PART NO. : **AMK-0004**

SHEET 1 OF 1